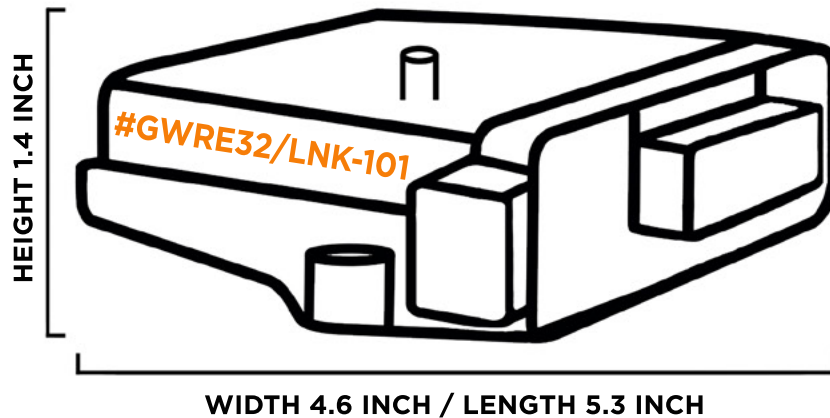


PressurePro's Gateway/LINK Solution, first introduced in the legacy line of solutions and reemerging with updates in Version 2 release, remains a key product in PressurePro's lineup. A critical component for fleet applications, commercial and heavy duty alike, Gateways are utilized for all drop-and-hook configurations, stand-alone or integrated. Capable of reading up to 32 tires and featuring CAN and RS232 capabilities, the Gateway enables tire performance information to be transferred across vehicle and trailer networks, giving users both fully automated trailer switching and seamless integration to Telematics solutions. Advanced features also include complete alert and reference pressure customization.

PressurePro, the Global Standard in TPMS.



GATEWAY WEIGHT | 249.5 grams/ 8.8 ounces

CONFORMITY | FCC, IC, CE, RoHS

ENVIRONMENTAL TESTING | Select J1455, MIL-STD-202G and MIL-STD-810G

TEMPERATURE RANGE | -40° to 85°C

POWER | 12-36 volts, surge protection to 60V (typical draw = 150 mA at 12V)

ENCLOSURE | Weather-resistant (IP67) Deutsch enclosure with 12-pin connector
Intended for interior or exterior installation

COMMUNICATION | CAN/J1939, J1587 and RS232 protocols

RECEPTION RANGE* | 100' average with max of 1000'

PREFERRED ANTENNA | LINK Coax Kit

TIRE CAPABILITY | Up to 32 tires (16 per SA/2 SA capability)
Works with Universal Repeaters, for 160 tire capability

CUSTOMIZATION | Allows users to customize alert levels/reference pressures

MANUFACTURING | **Designed and Manufactured in the USA**

*Gateway reception range is dependent on the vehicle environment and receiver antenna location.