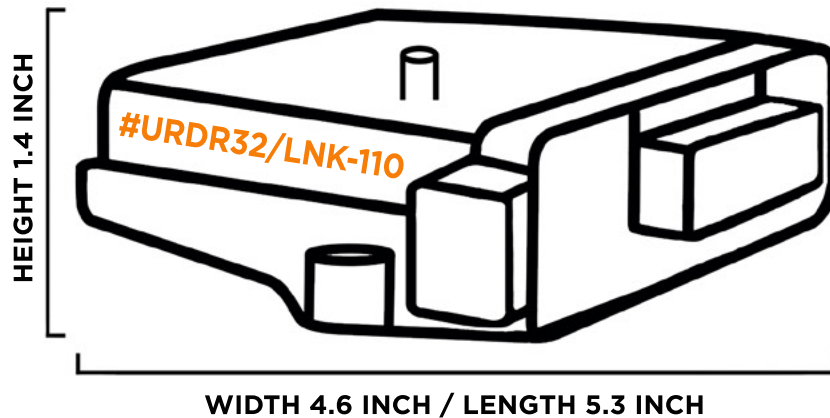




Fleets with multiple trailer operations depend on PressurePro's Universal Repeater/LINK UR Solution to bring seamless drop-and-hook capabilities to their operations, empowering the most complicated of operations to reap the benefits of PressurePro's advanced TPMS options. The Universal Repeater is capable of reading up to 32 tires and enables tire performance information to be transferred across the trailer network, syncing to PressurePro's in-cab solutions and arming drivers and fleet managers with complete trailer tire performance.

**PressurePro, the Global Standard in TPMS.**



**UNIVERSAL REPEATER WEIGHT** | 249.5 grams/ 8.8 ounces

**CONFORMITY** | FCC, IC, CE, RoHS

**ENVIRONMENTAL TESTING** | Select J1455, MIL-STD-202G and MIL-STD-810G

**TEMPERATURE RANGE** | -40° to 85°C

**POWER** | 12-36 volts, surge protection to 60V (typical draw = 150 mA at 12V)

**ENCLOSURE** | Weather-resistant (IP67) Deutsch enclosure with 12-pin connector  
Intended for interior or exterior installation

**COMMUNICATION** | J1587

**RECEPTION RANGE\*** | 100' average with max of 1000'

**PREFERRED ANTENNA** | LINK Wire Whip (6") Antenna

**TIRE CAPABILITY** | Up to 32 tires (16 per SA/2 SA capability)  
Works with Gateway/LINK, for 160 tire capability

**CUSTOMIZATION** | Allows users to customize alert levels/reference pressures

**MANUFACTURING** | Designed and Manufactured in the USA

\*Universal Repeater reception range is dependent on the vehicle environment and receiver antenna location.